

8 H9 (\$ SERIES)

DC/DC 7 c b j Y f H f g : (0 watts

Features

- Fully Encapsulated Chassis Mount
- Wide 4:1 Input Range
- -40 °C to +85 °C Operating Temperature
- High Efficiency up to 92 %
- Optional DIN Rail Version
- Remote On/Off
- EN55022 Conducted Level A With No External Components



Dimensions:

DTE40:

4.41 x 2.51 x 1.01" (112 x 63.8 x 25.6 mm)

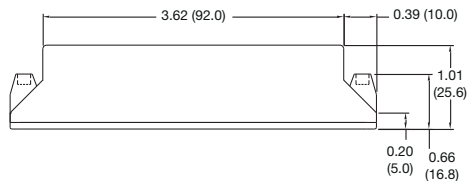
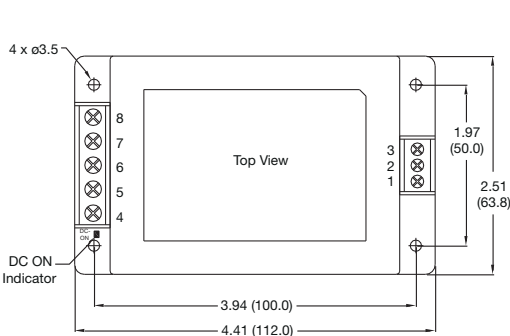
Models & Ratings

Input Voltage	Output Voltage	Output Current	Input Current ^(1,4)		Maximum Capacitive Load	Efficiency ⁽²⁾	Model Number ⁽³⁾
			No Load	Full Load			
24 V (9-36 V)	5.1 V	8.0 A	90 mA	1.89 A	13,600 µF	90%	DTE4024S5V1
	12.0 V	3.33 A	90 mA	1.85 A	2,400 µF	90%	DTE4024S12
	24.0 V	1.67 A	90 mA	1.86 A	600 µF	90%	DTE4024S24
	48.0 V	0.835 A	90 mA	1.88 A	150 µF	89%	DTE4024S48
48 V (18-75 V)	5.1 V	8.0 A	55 mA	0.96 A	13,600 µF	89%	DTE4048S5V1
	12.0 V	3.33 A	55 mA	0.92 A	2,400 µF	91%	DTE4048S12
	24.0 V	1.67 A	55 mA	0.91 A	600 µF	92%	DTE4048S24
	48.0 V	0.835 A	55 mA	0.93 A	150 µF	90%	DTE4048S48

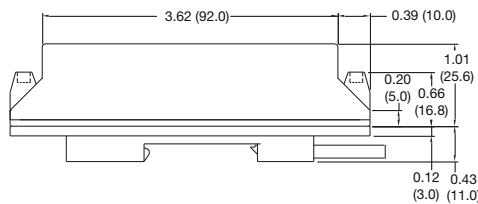
Notes

1. Input current measured at nominal input voltage.
2. Typical values.
3. For optional version fitted with Din Clip add suffix '-D' e.g. DTE4024S24-D.
4. Input current is typically 3 mA at nominal input voltage when output is remotely turned off.

Mechanical Details



-D Version



Pin Connections

Pin	Function
1	Remote On/Off
2	-Vin
3	+Vin
4	+Vout
5	No Connection
6	-Vout
7	No Connection
8	No Connection

Notes

1. All dimensions are in inches (mm)
2. Weight: 0.357 lbs (162 g) approx
3. Weight for -D version: 0.476 lbs (216 g) approx
4. Terminal wire size 1.5 mm² max
5. Screw terminal torque 4.5 to 6.2 lb-in (0.5 to 0.7 Nm)
6. Case tolerance: ±0.02 (±0.5)

DTE40 SERIES

DC/DC Converters: 40 watts

Input

Characteristic	Minimum	Typical	Maximum	Units	Notes & Conditions
Input Voltage Range	9		36	VDC	24V nominal
	18		75	VDC	48V nominal
Input Current					See Models and Ratings table
Inrush Current				A	
Input Filter	Pi type				
Undervoltage Lockout	On at >9V. Off <75V				24V models
	On at >18V. Off <16.0V				48V models
Input Surge			50	VDC	24V models for 100 ms
			100	VDC	48V models for 100 ms
Remote On/Off	On: Logic High (3.5-12V) or open circuit				
	Off: Logic Low (<1.2V) or short pin 1 to pin 2				

Output

Characteristic	Minimum	Typical	Maximum	Units	Notes & Conditions
Output Voltage	5.1		48	V	See Models and Ratings table
Initial Set Accuracy		±1	±2	%	
Minimum Load	0			A	No minimum load required
Start Up Delay		50		ms	
Line Regulation		±0.5		%	
Load Regulation		1		%	0 - 10% load
Transient Response			5	% deviation	Recovery to within 1% in <250 μs for a 50% load change at 0.25 A/μs rate
Ripple & Noise			100 150 200	mV pk-pk	5.1V model, 20 MHz bandwidth 12V & 48V models, 20 MHz bandwidth 48V model, 20 MHz bandwidth
Short Circuit Protection					Trip & Restart (hiccup mode), auto recovery
Overload Protection		150		%	Trip & Restart (hiccup mode)
Overvoltage Protection		120		%	Zener diode clamp
Temperature Coefficient			0.02	%/°C	

General

Characteristic	Minimum	Typical	Maximum	Units	Notes & Conditions
Efficiency		90		%	See Models and Ratings table
Isolation	2500			VDC	For 60 s
Isolation Resistance	1000			MΩ	At 500VDC
Input to Output Capacitance			2400	pF	
Switching Frequency		285		kHz	
Power Density			3.4	W/in ³	
Mean Time Between Failure	6000			kHrs	MIL-HDBK-217F, +25 °C GB
Weight		0.357 (162)		lb (g)	

Environmental

Characteristic	Minimum	Typical	Maximum	Units	Notes & Conditions
Operating Temperature	-40		+85	°C	See derating curve
Storage Temperature	-50		+125	°C	
Case Temperature			95	°C	
Thermal Impedance (Case to Ambient)	4.25			°C/W	Natural convection
	3.55				100 LFM
	3.10				200 LFM
	1.95				400 LFM
Humidity	5		95	%RH	Non-condensing
Cooling					Natural convection
Shock	±3 shocks in each plane, total 18 shocks of 30 g : 11 ms halfsine. Conforms to EN60068-2-27 & EN60068-2-47				
Vibration	10-500 Hz at 2 g sweep and endurance at resonance in all 3 planes. Conforms to EN60068-2-6				

8 H9 (\$ SERIES)

DC/DC 7 c bj YfHfg: (0 watts)

EMC: Emissions

Phenomenon	Standard	Test Level	Notes & Conditions
Conducted	EN55022	Level A	With no external components
Radiated	EN55022	Level A	See application notes

EMC: Immunity

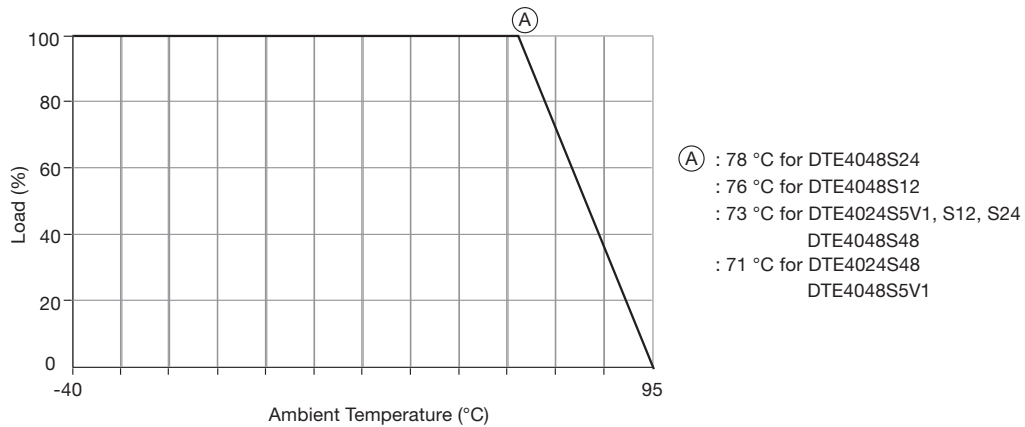
Phenomenon	Standard	Test Level	Criteria	Notes & Conditions
Immunity	EN55024			
ESD Immunity	EN61000-4-2	±4 kV Contact, ±8 kV Air	A	
Radiated Immunity	EN61000-4-3	10 V/m	A	
EFT/Burst	EN61000-4-4	3	A	
Surges	EN61000-4-5	3	A	
Conducted Immunity	EN61000-4-6	10 Vm	A	
Magnetic Fields	EN61000-4-8	30 A/m	A	

Safety Approvals

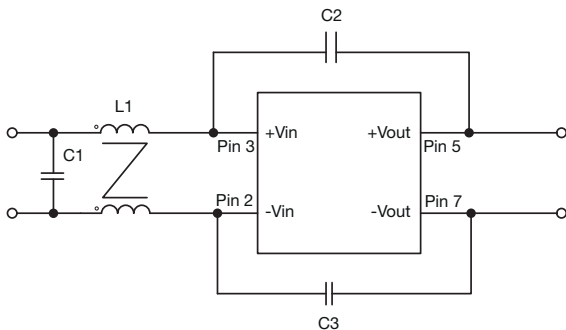
Safety Agency	Safety Standard	Notes & Conditions
CB	IEC60950-1	ITE
UL	UL60950-1	ITE

Application Notes

Derating Curve for Convection Cooling



Radiated Emissions

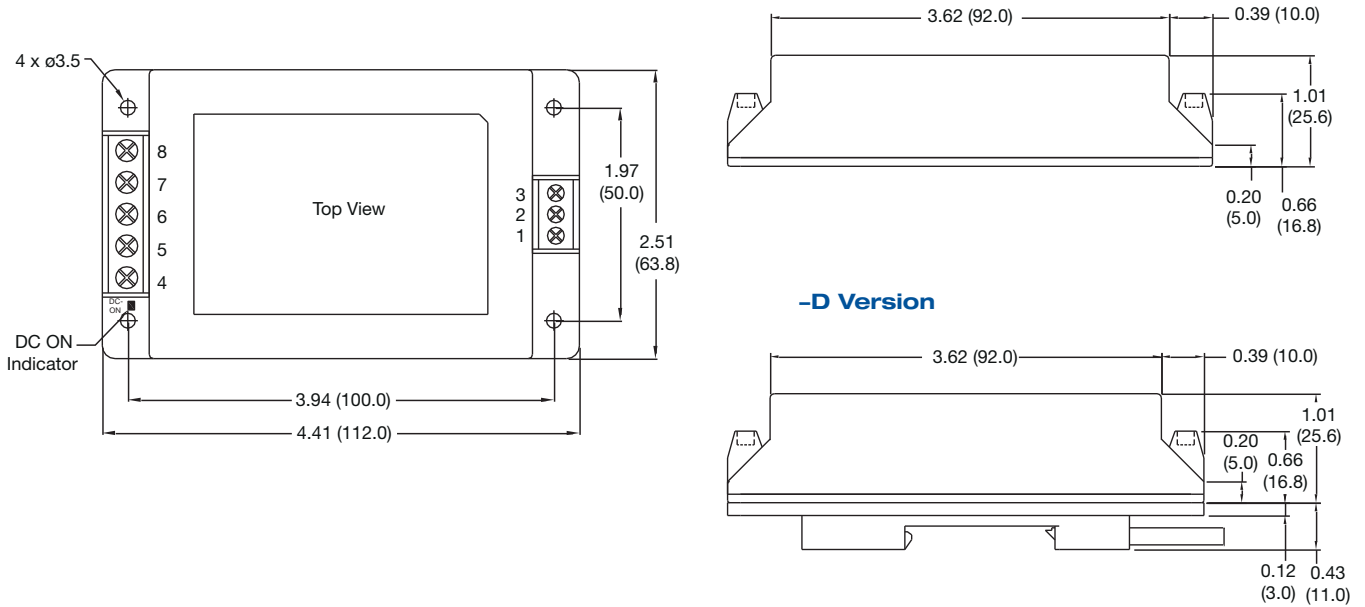


Model	L1	C1	C2	C3
DTE4024SXX	175 µH	4.7 µF/50 V	220 pF/3 KV	220 pF/3 KV
DTE4048SXX	175 µH	3.3 µF/100 V	220 pF/3 KV	220 pF/3 KV

8 H9 (\$ SERIES

DC/DC 7 cbj Yfhfg: (0 watts

Mechanical Details



Notes

- All dimensions are in inches (mm)
- Weight: 0.357 lbs (162 g) approx
- Weight for -D version: 0.476 lbs (216 g) approx
- Terminal wire size 1.5 mm² max
- Screw terminal torque 4.5 to 6.2 lb-in (0.5 to 0.7 Nm)
- Case tolerance: ±0.02 (±0.5)

Pin Connections	
Pin	Function
1	Remote On/Off
2	-Vin
3	+Vin
4	+Vout
5	No Connection
6	-Vout
7	No Connection\
8	No Connection